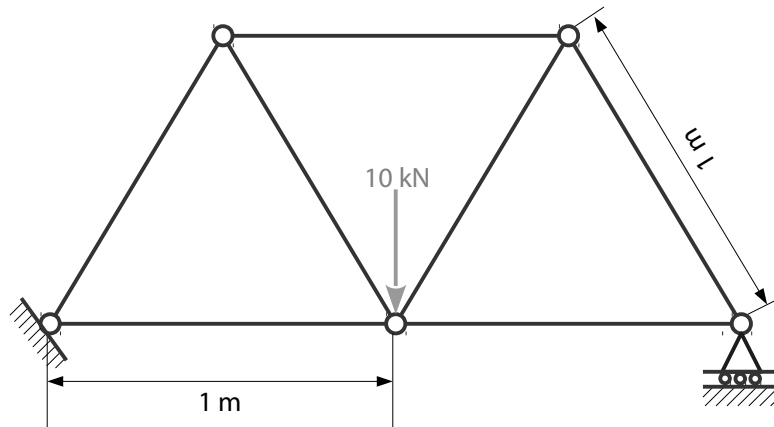


Truss

A classical problem in structural mechanics is the arrangement of trusses and solution of the resulting stress and displacement fields. Abaqus provides a good tutorial reviewing how the product operates. For this lab assignment, you will complete one of the tutorials based on this geometry:



Open the Abaqus help browser by selecting *Menu Bar*→*Help*→*Search and Browse Guides*.... A selection of available documents and tutorials will appear in your browser. Select *Tutorials*→*Getting Started with Abaqus: Interactive Edition* to open this exercise. Navigate to *2.3 Example: creating a model of an overhead hoist* in the left-hand outline of the tutorial, and complete sections 2.3.1–2.3.12 of the exercise. For credit for this assignment, submit the resulting *inp* and *rpt* files to the TA and instructor.